

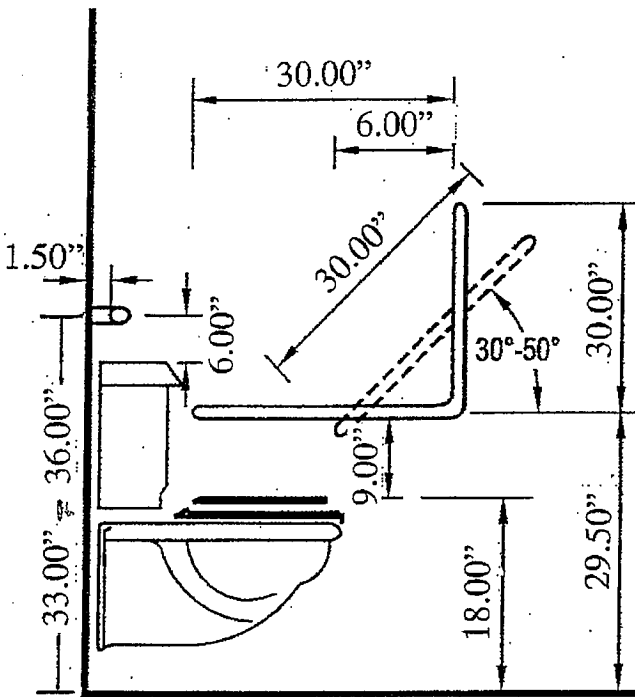
# WALL REINFORCEMENT FOR FUTURE GRAB BARS

## 9.5.2.3. Stud Wall Reinforcement

- (1) If wood wall studs or sheet steel wall studs enclose the main bathroom in a *dwelling unit*, reinforcement shall be installed to permit the future installation of a grab bar on a wall adjacent to,
- (a) a water closet in the location required by Clause 3.8.3.8.(1)(d), and
  - (b) a shower or bathtub in the location required by Clause 3.8.3.13.(1)(f).
- (See Appendix A.)

## 3.8.3.8. Water Closet Stalls (See Appendix A.)

- (1) Where a washroom is required by Article 3.8.2.3. to be *barrier-free*, at least 1 water closet stall or enclosure shall,
- (d) be equipped with grab bars that shall,
    - (i) be at least 30.00" in length and mounted at a 30° to 50° angle sloping upwards, away from the water closet with the lower end of the bar mounted 29.50" to 35.00" above the floor and 2.00" in front of the toilet bowl, or alternatively, be L-shaped with 30.00" long horizontal and vertical components mounted with the horizontal component 29.50" to 35.00" above the floor and the vertical component 6.00" in front of the toilet bowl,
    - (ii) be at least 24.00" in length mounted horizontally on the wall behind the water closet from 33.00" to 36.00" above the floor and, where the water closet has a water tank, be mounted 6.00" above the tank,
    - (iii) reserved,



GRAB BAR ADJACENT TO TOILETS

**CITY OF ST. THOMAS**  
 Environmental Services Department  
 Engineering Division  
 Building Services

**APPROVED PLANS**

Date: Nov 12/08

Plans Examiner: *John Paul*

Permit #: \_\_\_\_\_

ST. THOMAS-ELGIN HOMEBUILDERS' ASSOCIATION  TECHNICAL STANDARDS		SCALE: N.T.S.	DETAIL: WALL REINFORCEMENT FOR FUTURE GRAB BARS	DWG #: 9.5.2.3
		DATE: NOVEMBER 10, 2008	O.B.C. REFERENCE: 9.5.2.3(1) & 3.8.3.8(1)	A-1
		REVIEWED BY C.B.O.		